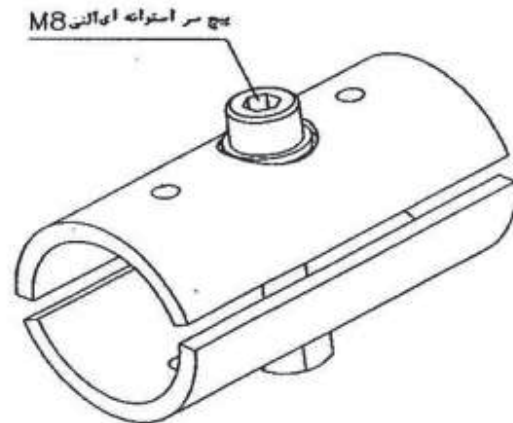


**SECTION: A-A**

*Weight with screw 305gr*  
*Weight without screw 280gr*



Coating: Galvanized And Yellow Chromate

## *Pipe to Pipe Connection*