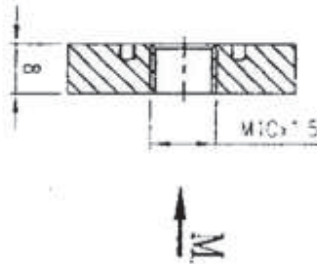
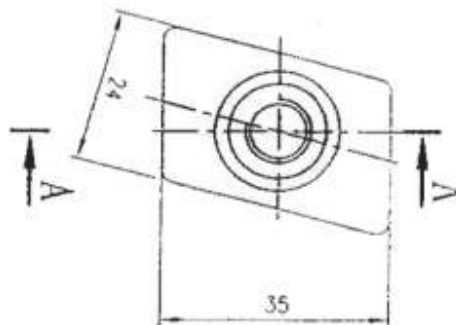


VIEW : M



SECTION: A-A



Coating: Galvanized and Yellow Chrome

Springy Tightener